

GENERAL PURPOSE ENGINE

GX270UH

PARTS CATALOGUE

1



GX270UH

FOREWORD INDEX

1

ENGINE GROUP

2

PART NUMBER INDEX

3

PART NAME INDEX

4

Instruction for use of parts catalogue

- **This parts catalogue was prepared based on the latest information available as of January 10, 2008.**
- See the parts catalogue news for any revision that is made after January 10, 2008.
- **Always specify the part number when ordering a part.**
- Check the model, type, serial numbers, color, maker, and the size as needed before ordering a part.
- Note that the illustrations (part drawings) can differ from the actual parts in shape. They are given just to help you to refer to the parts.
- **When modifications or additions to this parts catalogue are made, a revised edition will be issued at an appropriate time, with successively progressing revision numbers on the cover. We recommend obtaining such revisions in order to keep your parts catalogue up-to-date at all times. To check whether a parts catalogue revision has been issued, please contact your Honda distributor.**

Initial version issue date **January 10, 2008**
Honda Motor Co., Ltd.

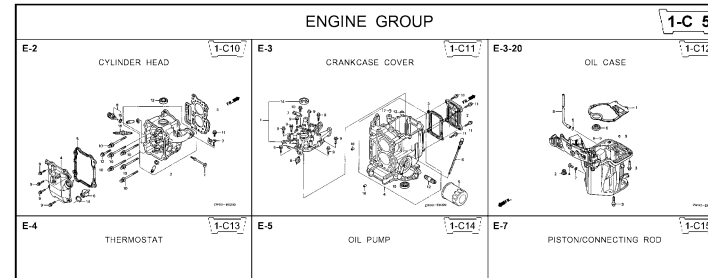
CONTENTS

	Page	Address No.	
● Instruction for use of parts catalogue	1	B 1	1
● How to refer to the part information	2	B 2	
● Part catalogue structure	3	B 3	
● When the parts were revised	4	B 4	
● Abbreviations used in the parts catalogue	4	B 4	
● How to check the part block and serial numbers	5	B 5	
● Models, parts catalogue codes and applicable serial numbers	6	B 6	
● Fuel hose, general purpose hoses and vinyl hose	7	B 7	
● FLAT RATE SERVICE TIME	8	B 8	
● Illustrated index	13	B13	
● ENGINE GROUP	15	C 1	2
● PART NO. INDEX	34	E 1	3
● PART NAME INDEX	35	F 1	4



How to refer to the part information

A Reference with "Illustrated index"



B Reference with "Part number index"

PART NO. INDEX

Part Number	Address	Page	Ref.	Part Number	Address	Page
06000				15212-ZW9-000	1-C14	3C
06316-ZW9-000	1-G9	88	1	15220-ZW9-003	1-C14	3C
11000				15332-ZW9-000	1-E8	55
11300-ZW9-405	1-C11	27	1	15332-ZW9-A30	1-E11	5E
11300-ZW9-406	1-C11	27	1	15400-PFB-004	1-C11	27
11340-ZW9-000	1-C11	27	2	15422-ZW9-000	1-C14	3C
11342-ZW9-000	1-C11	27	3	15473-881-000	1-C14	3C
11381-ZW9-003	1-C12	28	1	15474-ZW9-000	1-C14	3C
				15611-921-000	1-C10	2E
				15655-ZW9-000	1-C11	27
				16000		
12000				16010-ZV4-005	1-D4	3E
12000-ZW9-405ZA	1-C11	27	4	16011-ZV4-005	1-D4	3E
12155-ZV4-A00	1-C13	29	1	16013-ZW9-003	1-D4	3E
12166-ZW9-000	1-C10	26	1	16016-ZW9-003	1-D4	3E
12209-GB4-681	1-C16	32	1	16016-ZW9-721	1-D4	3E
12210-ZW9-405ZA	1-C10	26	2	16023-ZW9-003	1-D4	3E
12216-ZE2-300	1-E8	55	1	16024-ZV4-650	1-D4	3E
	1-E11	58	1	16028-ZV4-650	1-D4	3E

C Reference with "Part name index"

PART NAME INDEX

Part name	Address	Page	Ref.
[A]			
ABSORBER , FUEL	1-E15	62	5
ARMATURE COMP.	1-D11	43	7
ARM COMP. , LINK JOINT	1-G6	85	18
ARM COMP. , SHIFT LINK	1-G6	85	14
ARM COMP. , TILT	1-F15	79	20
ARM , FUEL PUMP ROCKER	1-C16	32	4
ARM , REVERSE LOCK	1-F15	79	18
ARM , SHIFT LINK	1-F11	74	7
ARM , STOPPER	1-D1	33	12
ARM , THROTTLE REMOTE	1-F11	74	6
ARM , VALVE ROCKER	1-C16	32	3
[B]			
BAG , TOOL , 160MM	1-G5	84	10
BAND	1-G6	86	37
BAND B1 , WIRE	1-F6	69	1
BAND , CORD	1-F3	67	18
BAND , TUBE CLIP , 11MM	1-E15	63	20
BAND , TUBE CLIP , 12.5MM	1-E15	63	19

Address No. 1-C10

E-2 CYLINDER HEAD

Block No.

Ref No.

Ref. No.	Part No.	Description	Reqd. QTY						Serial No.	Parts catalogue code
			99D1	99D1	1001	1001	1001	1001		
1	12166-ZW9-000	STOPPER, ENGINE SIDE	2	2	2	2	2	2		
2	12210-ZW9-000ZA	HEAD COMP., CYLINDER	1	1	1	1	1	1		
3	12251-ZW9-003	GASKET, CYLINDER HEAD	1	1	1	1	1	1		
4	12310-ZW9-000	COVER COMP., HEAD	1	1	1	1	1	1		
5	12312-ZW9-000	PACKING, HEAD COVER	1	1	1	1	1	1		
6	15611-921-000	CAP, OIL	1	1	1	1	1	1		
7	16617-ZW9-000	HOLDER, CABLE	1	1	1	1	1	1	SC,SG	
	16617-ZW9-010		1	1	1	1	1	1	1001800 LHC,LHD	
			1	1	1	1	1	1	1001801 LHC,LHD	
8	35675-ZW5-003	SENSOR ASSY., WATER	1	1	1	1	1	1		
9	90003-ZW9-000	BOLT, FLANGE, 6X22	1	1	1	1	1	1		
10	90007-ZW9-003	BOLT, FLANGE, 8X83	6	6	6	6	6	6		
11	90011-ZW9-000	BOLT, FLANGE, 6X14(CT200)	1	1	1	1	1	1		
12	90020-ZW9-000	BOLT, FLANGE, 8X40	2	2	2	2	2	2		
13	91202-KJ9-003	OIL SEAL, 20X32X6	1	1	1	1	1	1		
14	91301-805-000	O-RING, 26X2.7	1	1	1	1	1	1		
15	91307-PK2-005	O-RING, 9.5X1.5(HONDA KIKAKI)	1	1	1	1	1	1		
16	98059-55916	PLUG, SPARK (CR5EH-9)	2	2	2	2	2	2		
	98059-55926	PLUG, SPARK (U16FER9)	2	2	2	2	2	2		

Service item F.R.T.

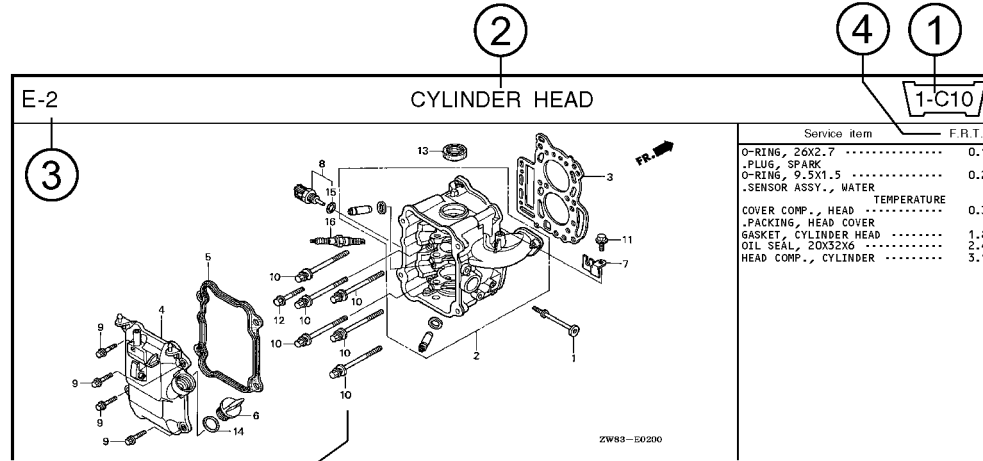
- O-RING, 26X2.7 0.1
- PLUG, SPARK 0.2
- O-RING, 9.5X1.5 0.2
- SENSOR ASSY., WATER TEMPERATURE 0.3
- COVER COMP., HEAD 0.3
- PACKING, HEAD COVER 1.8
- GASKET, CYLINDER HEAD 2.4
- OIL SEAL, 20X32X6 2.4
- HEAD COMP., CYLINDER 3.1

ZW83-ED200

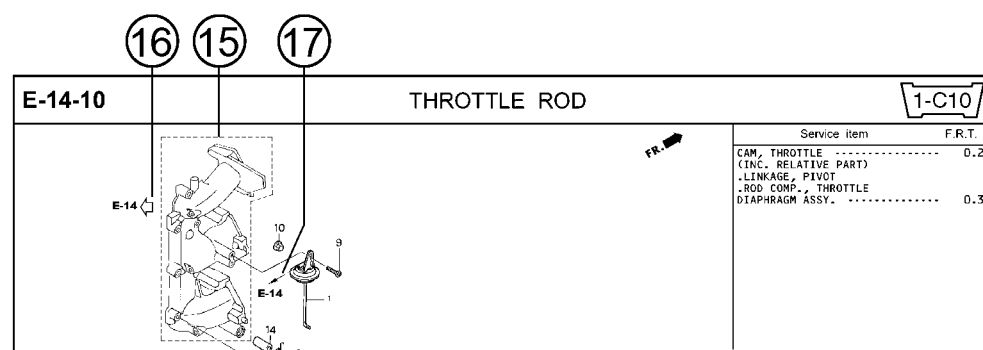
Page No.

2008.09.20 E

Part catalogue structure



Ref. No.	Part No.	Description	Reqd. QTY						Serial No.	Parts catalogue code
			BF 9/9D1	BFP 9/9D1	BF 10D1	BFP 10D1	BF 10B1	BFP 10B1		
1	12166-ZW9-000	STOPPER, ENGINE SIDE	2	2	2	2	2	2		
2	12210-ZW9-000ZA	HEAD COMP., CYLINDER *NHS* DARK GRAY	1	1	1	1	1	1		
3	12251-ZW9-003	GASKET, CYLINDER HEAD	1	1	1	1	1	1		
4	12310-ZW9-000	COVER COMP., HEAD	1	1	1	1	1	1		
5	12312-ZW9-000	PACKING, HEAD COVER	1	1	1	1	1	1		
6	15611-921-000	CAP, OIL (NO GAUGE)	1	1	1	1	1	1		
7	16617-ZW9-000	HOLDER, CABLE	1	1	1	1	1	1	SC,SG	
	16617-ZW9-010		1	1	1	1	1	1	1001800 LHC,LHD	



① **Address number**
 • Address No. is provided (in place of the page No.) to help you refer to the part with the part No. or part name.

② **Block title** ③ **Block number**

④ **Service item/Flat rate time**

⑤ **Reference number**
 • Title number marked with the parenthesis or parentheses indicates that it continues from the previous page.

⑥ **Part number** ⑦ **Honda color code**

⑧ **Description**

⑨ **Assemblies**
 • Sections framed with broken lines in the exploded view drawings are available as complete assemblies. (Their individual parts can also be obtained.)

⑩ **Color description**

⑪ **Note**
 • Notes are shown with the parentheses in the part name column.

⑫ **Required quantity**
 • Required QTY shown in the parenthesis or parentheses indicates the optional part.
 • Required QTY marked with "N" Indicates the optional part that should be selected as needed.
 • Required QTY indicates the number of the part used in the block.

⑬ **Serial number**

⑭ **Type**
 • When the type column is blank, it indicates that the part is applicable to all types.
 • As the type of the actual unit may differ from the "parts catalogue, type" please refer to "Models, types and applicable serial numbers" for confirmation.

⑮
 • Parts enclosed within a dotted line are covered in a different block.

⑯
 • A hollow arrow indicates the block No. for the parts enclosed within a dotted line .

⑰
 • A solid arrow indicates the block No. the part in question is connected to.

When the parts were revised

Abbreviations used in the parts catalogue

1



Be sure to check the serial number!!



Ref. No.	Part No.	Description	Reqd. QTY						Serial No.
			BF 99D1	BFP 9.9D1	BF 10D1	BFP 10D1	BF 10B1	BFP 10B1	
1	12166-ZW9-000	STOPPER, ENGINE SIDE	2	2	2	2	2	2	
2	12210-ZW9-000ZA	HEAD COMP., CYLINDER *NHS*	1	1	1	1	1	1	
3	12251-ZW9-003	GASKET, CYLINDER HEAD	1	1	1	1	1	1	
4	12310-ZW9-000	COVER COMP., HEAD	1	1	1	1	1	1	
5	12312-ZW9-000	PACKING, HEAD COVER	1	1	1	1	1	1	
6	15611-921-000	CAP, OIL (NO GAUGE)	1	1	1	1	1	1	
7	16617-ZW9-000	HOLDER, CABLE (###)	1	1	1	1	1	1	SC, SG LHC, LHD LHC, LHD
	16617-ZW9-010	1	1	1	1	1	1	

The number has been used from the initial model without revision.

When shown at the left side, it is applicable to the models of No.1001801 and the subsequent numbers.

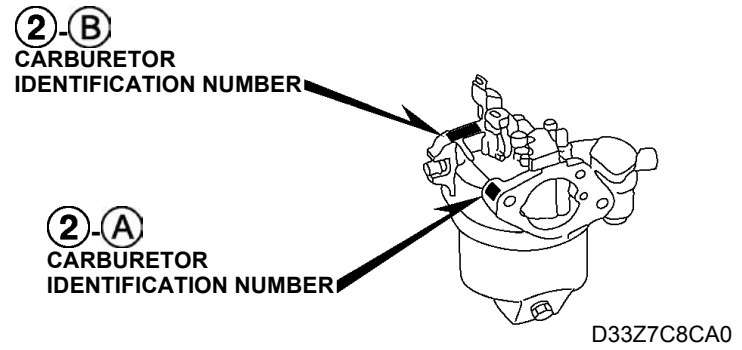
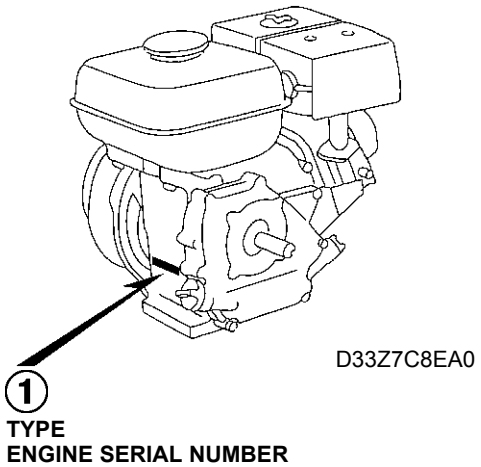
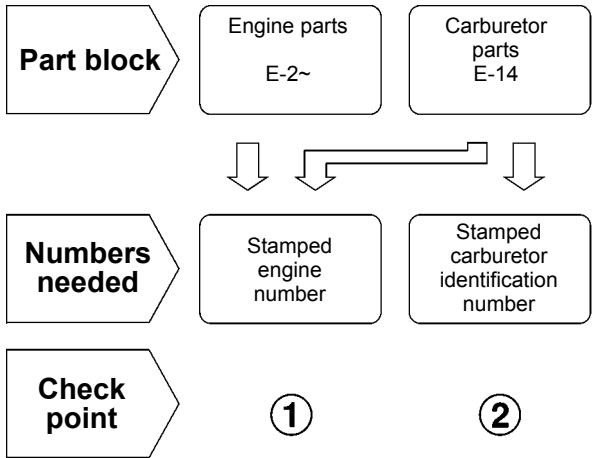
When shown at the right side, it is applicable to the models up to No.1001800.

• The parts listed with "###" at the end of the parts name have limited supply period (parts not for sale).

• The following abbreviations are used in the parts name column.

- | | |
|--|-----------------------------|
| A Ampere | FR.Front |
| A.C. Alternating current | IN.Inlet |
| ASSY. Assembly | L (100L) .Link (100 Links) |
| AT. Automatic transmission | L.Left |
| C.D.I. Capacitive discharge ignition | MMMillimeter |
| COMP. ... Complete | MT.Manual Transmission |
| D.C. Direct current | P.T.O.Power take off |
| EX. Exhaust | R.Right |
| G.F.C.I ... Ground fault circuit interruptor | RR.Rear |
| HEX. Hexagonal | STD.Standard |
| H.S.T. Hydrostatic transmission | T (22T) ...Tooth (22 Teeth) |
| | VVolt |
| | WWatt |

How to check the part block and serial numbers



Models, parts catalogue codes and applicable serial numbers

- Models, parts catalogue codes and applicable serial Nos. given in this parts catalogue can be identified as follows.

Model	Type	Parts catalogue type	Applicable engine serial No.	Applicable carburetor identification No.
GX270UH	QXC9	QXC9	GCAGH-1000001~	BE70M A

* Of carburetor identification numbers, only the portions underlined in the example below are used for registration.

BE 70M A KC ナ
 (A) (B)

Fuel hose, general purpose hoses and vinyl hose

- The standard part fuel hose, general purpose hose and vinyl hose may be substituted by the coiled bulk part.
- When ordering the standard part fuel hose, general purpose hose and vinyl hose use the bulk part number written in the parts catalog in brackets () underneath the part name.
- When exchanging the hose, cut and use at the specified length as mentioned in the part name.
(For the method of cutting the bulk part, and method of filling out orders etc., please refer to the instructions issued with the bulk part.)

Bulk part number of fuel hose, general purpose hose and vinyl hose.

Example: 9 5 0 0 1 - 7 5 0 0 1 - 5 0 M

Bulk part number:

Refers to the bulk part.

Marking code (fuel hose and general purpose hose)

Change code (Vinyl hose)

Indicates number mark or change sequence, however, the code for the bulk part must be strictly 0 (zero).

Types of code:

- | | | | | | |
|-------------|--|----------------|-------------|--------------|---------------|
| • Fuel hose | 2: Red outside braid
(3 mm inside dia. only) | • General hose | 1: Ash gray | • Vinyl hose | 1: Clear |
| | 5: Black inside braid | | 2: Ash gray | | 2: Black |
| | 3: Red (3 mm inside dia. only) | | 3: Black | | 3: Light red |
| | 4: Ash gray with red stripe
(3 mm inside dia. only) | | 5: Black | | 6: Light red |
| | 6: Black | | | | 7: Pale black |

Lengths:

- 001: 1 m (standard)
003: 3 m
008: 8 m } Application or specification of some parts is not settled.

I.D code: (fuel hose and general purpose hose)

- | | | | | |
|------------|--------------------|--------------------|-----------------------------|-----------------------------|
| 30: 3.0 mm | 50: 5.0 mm | 70: 7.0 mm | 11: 11 mm | 12: 12 (outside dia. 17) mm |
| 35: 3.5 mm | 55: 5.3 mm, 5.5 mm | 75: 7.3 mm, 7.5 mm | 91: 12 (outside dia. 15) mm | 14: 14 mm |
| 45: 4.5 mm | 65: 6.5 mm | 80: 8.0 mm | 92: 12 (outside dia. 16) mm | 17: 17 mm |

ID./OD. code: (vinyl hose)

- | | | | | |
|-------------------------|--------------------------|---------------------------|---------------------------|---------------------------|
| 01: ID. 2.9, OD. 6.8 mm | 12: ID. 5.0, OD. 7.0 mm | 21: ID. 8.0, OD. 9.0 mm | 37: ID. 11.0, OD. 15.0 mm | 50: ID. 16.0, OD. 19.0 mm |
| 03: ID. 3.0, OD. 6.0 mm | 10: ID. 5.0, OD. 8.0 mm | 23: ID. 8.0, OD. 12.0 mm | 38: ID. 12.0, OD. 13.0 mm | 55: ID. 17.5, OD. 20.5 mm |
| 05: ID. 3.5, OD. 6.5 mm | 11: ID. 5.0, OD. 9.0 mm | 25: ID. 9.0, OD. 11.0 mm | 39: ID. 12.0, OD. 14.0 mm | 60: ID. 22.0, OD. 27.0 mm |
| 07: ID. 4.0, OD. 7.0 mm | 14: ID. 6.0, OD. 9.0 mm | 27: ID. 9.0, OD. 13.0 mm | 40: ID. 12.0, OD. 16.0 mm | |
| 08: ID. 4.5, OD. 6.5 mm | 17: ID. 7.0, OD. 9.0 mm | 33: ID. 10.0, OD. 14.0 mm | 43: ID. 13.0, OD. 15.0 mm | |
| 09: ID. 4.5, OD. 8.0 mm | 19: ID. 7.0, OD. 11.0 mm | 36: ID. 11.0, OD. 13.0 mm | 45: ID. 14.0, OD. 18.0 mm | |

Hose type:

- 1: Fuel hose
3: Vinyl hose
5: General hose

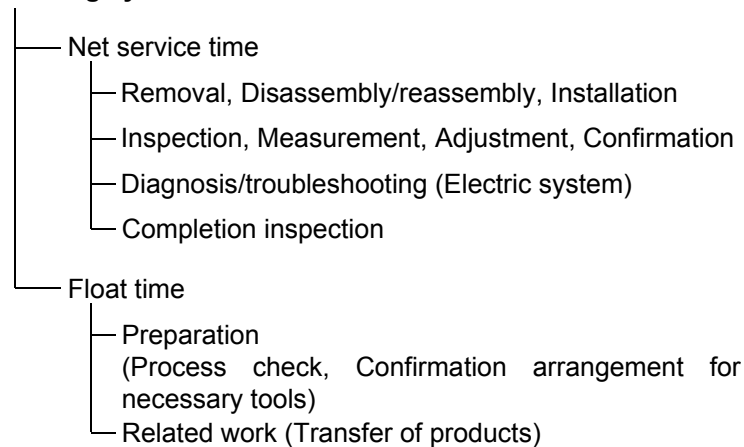
⊙ **CAUTION: It is DANGEROUS to confuse the fuel hose with the general purpose hose or vinyl hose.**

Never use a general purpose hose or vinyl hose in place of a fuel hose or vice versa. Always use the correct bulk part in the parts catalogue, according to the service manual or the instructions issued with the bulk part.

FLAT RATE SERVICE TIME

Flat rate service time (FRT) means the standard time required to service a product, which is listed in this manual to help the dealers control the actual working process and calculate the service charge by using it as a guide.

FRT setting system



* Float time is set by multiplying the net service time by a given coefficient.

Editorial style

The service items shown in the text are listed with the exchange work time for the repair sales parts as the subject. Other representative service items not using repair parts (removal/installation, adjustment, inspection/measuring, and other work) are listed collectively in the list in the preface, classified according to the work.

FRT setting standard

- Decimal system (in unit of 0.1) is adopted to set FRT as it is convenient to calculate the wage.
Example: (0.1) → 6 minutes, (0.2) → 12 minutes
[Labor cost per hour] x [FRT] = [Wage]
- FRT is set with a hand tool.
- Service items and FRT can be subject to change depending on development of tools and service equipment and improvement in service procedure.

Work procedure

- As the work procedure is set with the work time according to the method in the separate Service Manual, refer to this Manual as required.
- Work methods permitting servicing in the shortest time still permitting assurance of safe work and product warranty are used for the setting of service items not listed in the Service Manual.
- Work basically is to be performed by one person, and when two or more people are required, setting is done as the total time for the number of people.
- The set value for the technological level of the workers uses a person with three years of experience in the repair of Honda products as the standard.
- Special tools and service equipment used to set FRT are those specified or recommended in Service Manual.

Service item whose FRT is not presented

- Accessories and service parts that are not listed to use in this manual.
 - Locations with little aging deterioration or breakage during normal use.
 - Service work that can be finished by one touch.
 - Service work that is seldom done (i.e. extremely small causes of trouble and service frequency).
 - Products and parts whose location for installation differs according to its status of use and application.
- * When FRT is not presented, please calculate wages based on appropriate actual work time.

Operation not included of FRT

- Oil and coolant water draining, Waiting time for warming up operation and etc..
- Additional operation that involves removal/installation of standard exterior equipment.
- Indirect time spent for service by visiting the customer, trade-in, and delivery.
- Indirect time required for ordering and delivery of parts.
- Cost for grease, adhesive agent, etc. used for service work.

Explanation of FRT by using an example
(The example may differ from the actual presented items)

Ref. No.	L.O.N.	(Relative ref. Number) Description	F.R.T.
①	1111L1	④ (1, 3, 4, 7) VALVE, INTAKE 4.1	②
②		• NOTE: OHV type ⑥	⑦
③	1111L1A	• Includes: Engine removal and installation	
		One head (intake all) add 1.4 ⑤	

- ① Reference No. of the illustration of part that shows location of the replacement work.
- ② FRT is an abbreviation of Flat Rate Time indicating the standard service time required for the replacement.
- ③ LON is an abbreviation of Labor Operation Number, and it is a classification of the service items by the work unit code.

The same operation code is used regardless of the models.

Standard operation is indicated with 6 digits code, and additional operation is indicated with 7 digits code.

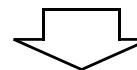
- ④ Indicating the intake valve replacement and FRT4.1.
- ⑤ Indicating FRT1.4 that will be added when additional operation (whole intake side of one cylinder head) is done in association with intake valve replacement.

- ⑥ Indicating work condition or application condition of the service item.
- ⑦ Indicating work contents that are included in the service item.
- ⑧ Indicating a reference No. whose operation and time are the same as FRT4.1 for the intake valve.

(The application range is limited to the service items without an LON setting within a same block.)

How to refer to the service item by using the sample
 (intake valve replacement)

Open to the page of the block where the intake valve's spare part illustration is shown.



Look for the intake valve illustration, and refer to the service item and FRT that agree with the reference No.

Indication mark for the listing of service items that continues to the following page

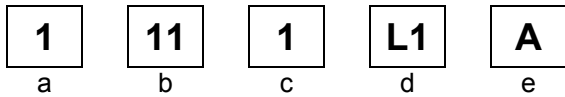
Ref. No.	L.O.N.	(Relative ref. Number) Description	F.R.T.
2	1111L1	VALVE, INTAKE	4.1
	.	.	.
	.	.	.

+
Mark indicated at the last line.

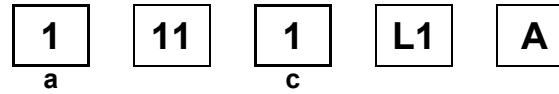
Indication of the block with no setting of FRT

Ref. No.	L.O.N.	(Relative ref. Number) Description	F.R.T.
NO INFORMATION			

• LON code system



- a) Category code..... Engine
- b) Location/function code Engine upper
- c) Operation code..... Replace
- d) Operation sequence number (Unit code can be shown with alphabet)
..... Intake valve
(No regular rule of code)
- e) Additional code One head (intake all)
(No regular rule of code)



a) Category codes and classification

Code	Category
1	Engine
2	Power drive
3	Fuel & Exhaust
4	Frame & Body
5	Steering
6	Electrical
7	Axle & Brake
8	Control system
9	-
0	Attachments

c) Operation codes and classification

Code	Operation category
1	Replace, Removal/Installation, Change
2	Overhaul
3	Adjust, Rotation
4	(Paint-related work: Top-coat)
5	Test, Inspect/diagnose, Measurement
6	(Overhaul-related work: Rebore)
7	(Overhaul-related work: Reseal)
8	(Resurface)
9	(Paint-related work: Refinish)
0	Repair, Cleaning, Air bleeding

Major service items without using spare parts

- (1) Removal/Installation, (2) Adjustment,
(3) Inspection/Masurement, (4) Overhaul, (5) Other work

E: Engine, T: Transmission, D: Drive system,
B: Body and related parts

(1) Removal/Installation

Set with the parts configuration in the status of being removed from the product.

	LON	DESCRIPTION	FRT
E	1111L3	CYLINDER HEAD ASSEMBLY-REMOVAL/INSTALLATION	0.5

(2) Adjustment

	LON	DESCRIPTION	FRT
E	1113A1	VALVE CLEARANCE-ADJUSTMENT NOTE: For 1 product	0.3
	1163A0	CONTROL, THROTTLE/GOVERNOR-ADJUSTMENT	0.2
	3113A2	CARBURETOR IDLE-ADJUSTMENT	0.2

(3) Inspection, Measurement, Cleaning

	LON	DESCRIPTION	FRT
E	1105A0	ENGINE OIL-INSPECTION	0.1
	3120A0	AIR CLEANER-CLEANING INCLUDES: Air cleaner-inspection	0.2
	3130A0	SPARK ARRESTER-CLEANING	0.2
	6140A0	SPARK PLUG-ADJUSTMENT/CLEANING NOTE: For 1 product	0.1

(4) Overhaul

Work condition: The required Measurements, inspections, adjustments, and cleaning/washing of each part are performed, including the main body removal/installation work and the replacement of defective parts.

	LON	DESCRIPTION	FRT
E	3112A0	CARBURETOR-OVERHAUL INCLUDES: All necessary adjustment	0.5

(5) Other work

	LON	DESCRIPTION	FRT
E	1101E1	ENGINE OIL-CHANGE INCLUDES: Engine oil-inspection	0.1

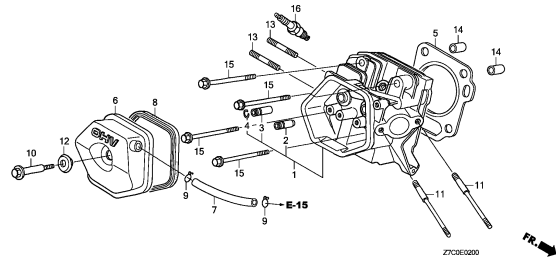
ENGINE GROUP

B13

E-2

CYLINDER HEAD

C 1

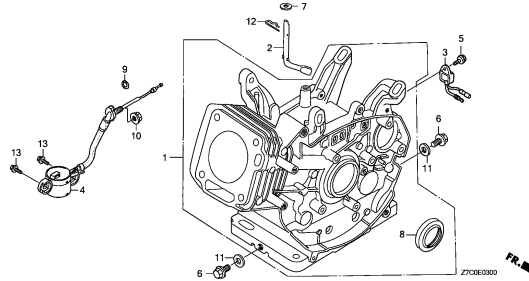


Z7CDE0200

E-3

CYLINDER BARREL

C 2

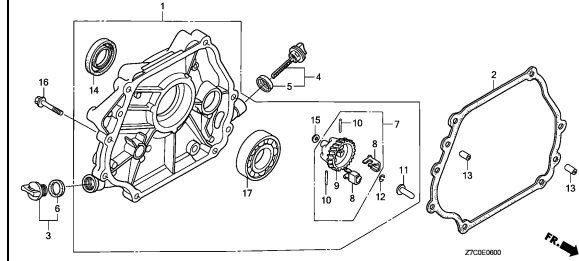


Z7CDE0300

E-6

CRANKCASE COVER

C 3

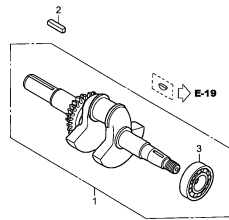


Z7CDE0600

E-7

CRANKSHAFT

C 4

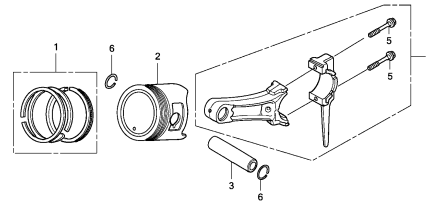


Z7CDE0700

E-8

PISTON/CONNECTING ROD

C 5

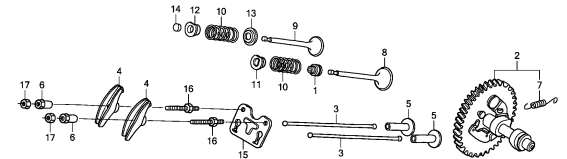


Z7CDE0800

E-9

CAMSHAFT

C 6

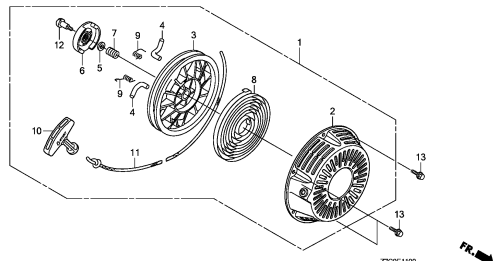


Z7CDE0900

E-11

RECOIL STARTER

C 9

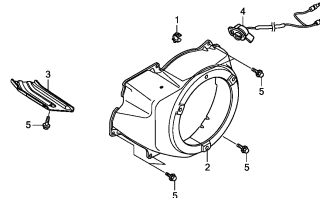


Z7CDE1100

E-12

FAN COVER

C10

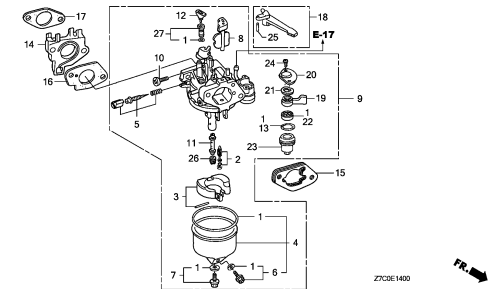


Z7CDE1200

E-14

CARBURETOR

C11



Z7CDE1400

2

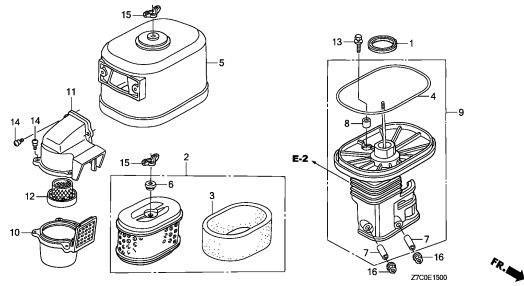
ENGINE GROUP

B14

E-15

AIR CLEANER

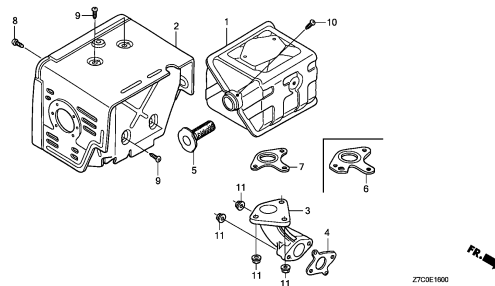
C13



E-16

MUFFLER

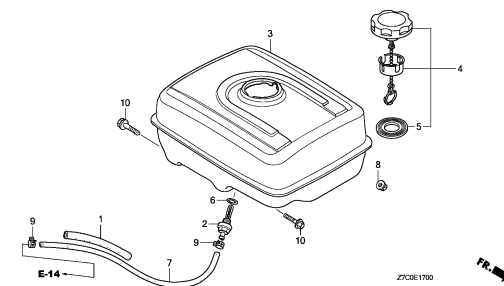
C14



E-17

FUEL TANK

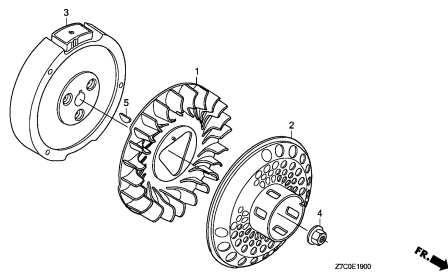
C15



E-19

FLYWHEEL

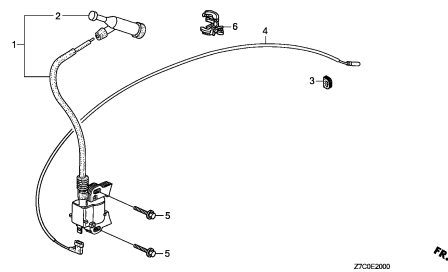
C16



E-20

IGNITION COIL

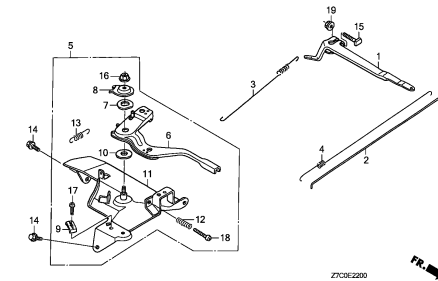
D 1



E-22

CONTROL

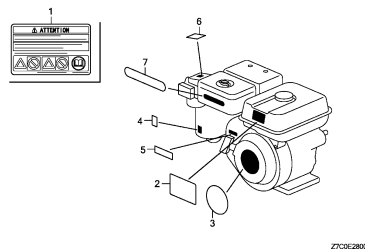
D 2



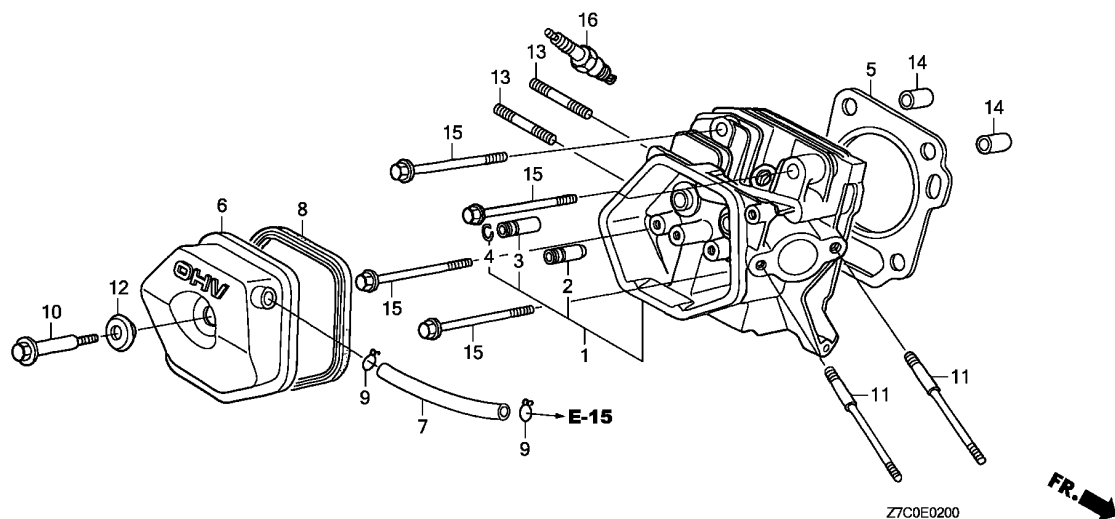
E-28

LABEL

D 3



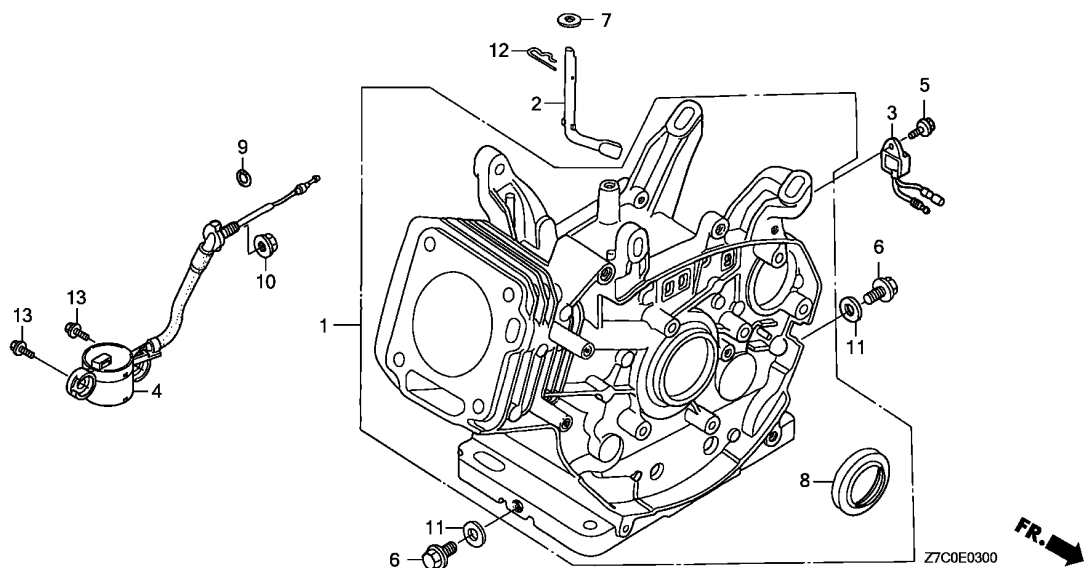
2



Ref. No.	L.O.N.	(Relative ref. Number) Description	F.R.T.
1	1111N3	HEAD, CYLINDERINCLUDES: Valve clearance adjustment and reface	0.9
2	1111E9	GUIDE, INTAKE VALVEINCLUDES: Valve clearance adjustment	0.8
	1111E9E	.Replace intake and exhaust all add	0.2
3	1111E8	GUIDE, EXHAUST VALVEINCLUDES: Valve clearance adjustment	0.8
	1111E8E	.Replace intake and exhaust all add	0.2
5	1111N4	GASKET, CYLINDER HEAD	0.5
6	1111D5	COVER, CYLINDER HEAD AND/OR PACKING, HEAD COVER	0.1
7	1111K5	TUBE, BREATHER	0.2
16	6141C1	PLUG, SPARKINCLUDES: Spark plug check	0.1

Ref. No.	Part No.	Description	Reqd. QTY	Serial No.	Parts catalogue code
			GX 270 UH		
1	12200-ZH9-405	HEAD COMP., CYLINDER	1		
2	12204-ZE2-306	GUIDE, IN. VALVE (O.S.)	1		
3	12205-ZE2-305	GUIDE, EX. VALVE (O.S.)	1		
4	12216-ZE2-300	CLIP, VALVE GUIDE	1		
5	12251-ZH9-000	GASKET, CYLINDER HEAD	1		
6	12310-ZE3-791	COVER COMP., HEAD (BREATHER TUBE JOINT)	1		
7	12315-ZE3-840	TUBE, BREATHER	1		
8	12391-ZE2-020	PACKING, HEAD COVER	1		
9	17316-611-000	CLIP, BREATHER TUBE	2		
10	90014-ZE2-000	BOLT, HEAD COVER	1		
11	90042-ZE2-000	BOLT, STUD, 8X123	2		
12	90441-ZE2-010	WASHER COMP., HEAD COVER	1		
13	92900-08032-0E	BOLT, STUD, 8X32	2		
14	94301-12200	DOWEL PIN, 12X20	2		
15	95725-10080-00	BOLT, FLANGE, 10X80	4		
16	98079-55846	PLUG, SPARK (BPR5ES)(NGK) ...	(1)		
	98079-55855	PLUG, SPARK (W16EPR-U)(DENSO)	(1)		
	98079-56846	PLUG, SPARK (BPR6ES)(NGK) ...	1		





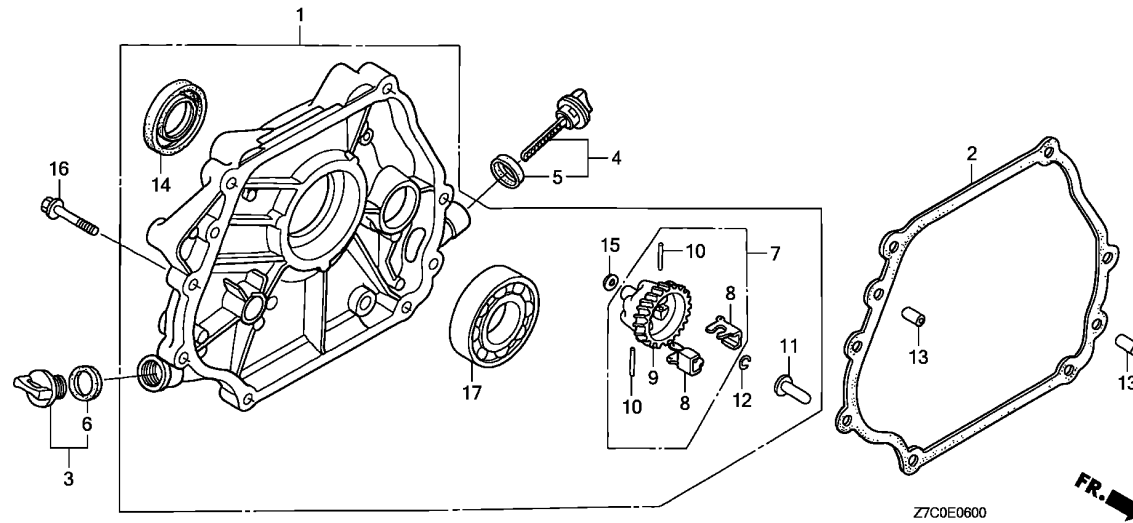
Ref. No.	L.O.N.	(Relative ref. Number) Description	F.R.T.
1	1101A0	BARREL, CYLINDER	1.8
2	1161B4	SHAFT, GOVERNOR ARM	1.1
3	6151A0	ALERT UNIT, ENGINE OIL	0.1
4		(9)	
	6151E8	SWITCH, OIL LEVEL	0.5
8	1101E4	OIL SEAL, CRANKSHAFT :FRONT ..	1.1

Ref. No.	Part No.	Description	Reqd. QTY	Serial No.	Parts catalogue code
			GX 270 UH		
1	12000-ZH9-406	BARREL ASSY., CYLINDER (ALERT)	1		
2	16541-Z7B-000	SHAFT, GOVERNOR ARM	1		
3	34150-ZH7-013	ALERT UNIT, OIL	1		
4	35480-Z7E-003	SWITCH ASSY., OIL LEVEL	1		
5	90013-883-000	BOLT, FLANGE, 6X12(CT200) ...	1		
6	90131-883-000	BOLT, DRAIN PLUG, 12X15	2		
7	90446-Z7E-000	WASHER, 8.2X17X0.8	1		
8	91201-Z7B-003	OIL SEAL, 30X46X8	1		
9	91353-Z7E-003	O-RING, 14MM	1		
10	94050-10000	NUT, FLANGE, 10MM	1		
11	94109-12000	WASHER, DRAIN PLUG, 12MM	2		
12	94251-10000	PIN, LOCK, 10MM	1		
13	95701-06012-00	BOLT, FLANGE, 6X12	2		

E-6

CRANKCASE COVER

C 3



Ref. No.	L.O.N.	(Relative ref. Number) Description	F.R.T.
1	1101F1	COVER, CRANKCASE	0.2
2	1101E9	PACKING, CRANKCASE COVER	0.2
7	1161C4	GOVERNOR ASSEMBLY	0.3
9		(8,10)	
	1161A7	HOLDER, GOVERNOR WEIGHT	0.3
11		(12)	
	1161B6	SLIDER, GOVERNOR	0.3
14	1101E5	OIL SEAL, CRANKSHAFT :REAR ...	0.3
17	1101A6	BEARING, CRANKSHAFT :REAR ...	0.4

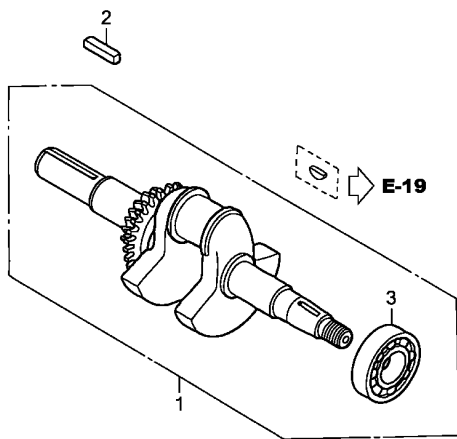
Ref. No.	Part No.	Description	Reqd. QTY		Serial No.	Parts catalogue code
			GX	UH		
1	11300-Z7B-800	COVER ASSY., CRANKCASE	1			
2	11381-ZE2-801	PACKING, CASE COVER	1			
3	15600-Z1T-600	CAP ASSY., OIL FILLER	1			
4	15600-Z7E-000	CAP ASSY., OIL FILLER	1			
5	15625-Z0T-800	PACKING, OIL FILLER CAP	1			
6	15625-Z1T-000	PACKING, OIL FILLER CAP	1			
7	16510-Z7B-000	GOVERNOR ASSY.	1			
8	16511-ZE2-000	WEIGHT, GOVERNOR	2			
9	16512-Z7B-000	HOLDER, GOVERNOR WEIGHT	1			
10	16513-ZE2-000	PIN, GOVERNOR WEIGHT	2			
11	16531-Z0A-000	SLIDER, GOVERNOR	1			
12	90602-ZE1-000	CLIP, GOVERNOR HOLDER	1			
13	90701-Z7E-000	DOWEL PIN, 8X12	2			
14	91201-Z7B-003	OIL SEAL, 30X46X8	1			
15	94101-06800	WASHER, PLAIN, 6MM	1			
16	95701-08035-00	BOLT, FLANGE, 8X35	7			
17	96100-62060-00	BEARING, RADIAL BALL, 6206 ..	1			

2

E-7

CRANKSHAFT

C 4

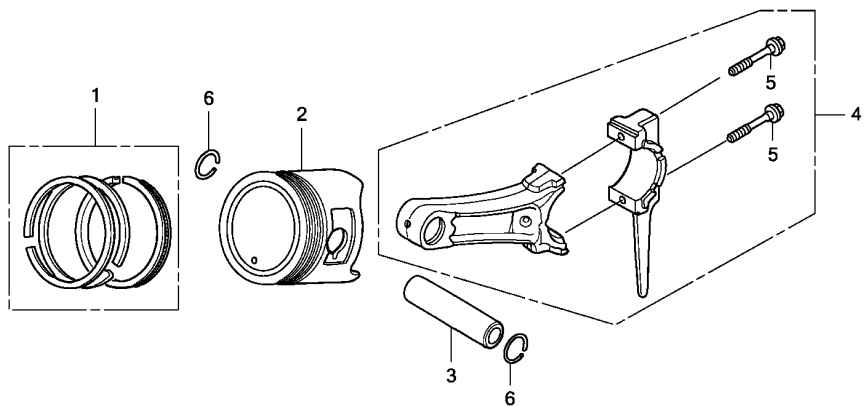


Z7C0E0700

Ref. No.	L.O.N.	(Relative ref. Number) Description	F.R.T.
1	1101F0	CRANKSHAFT	1.1
3	1101A4	BEARING, CRANKSHAFT :FRONT ...	1.3

2

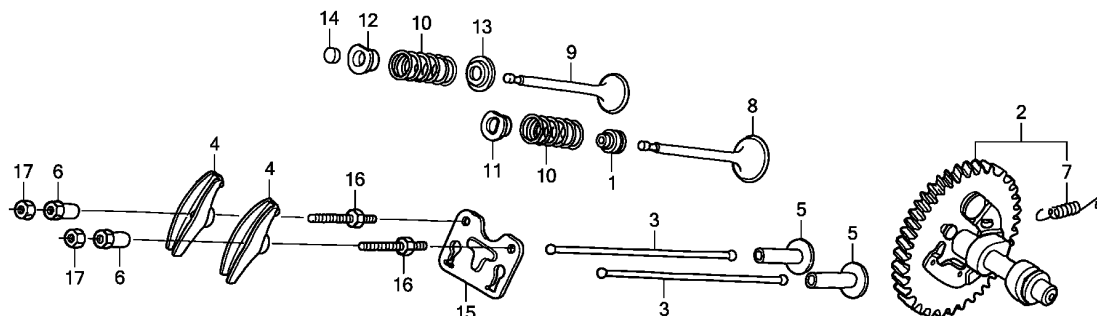
Ref. No.	Part No.	Description	Reqd. QTY	Serial No.	Parts catalogue code
			GX 270 UH		
1	13310-Z7B-800	CRANKSHAFT COMP.	1		
2	90745-ZE2-600	KEY, 6.3X6.3X43	1		
3	91001-ZH9-003	BEARING, RADIAL BALL (6206 SH)	1		



Z7C0E0800

Ref. No.	L.O.N.	(Relative ref. Number) Description	F.R.T.
2	1111R1	(1,3,4) PISTON AND/OR RING SET AND/OR BEARING AND/OR ROD INCLUDES: Inspection/ Measurement/Cleaning	1.2

Ref. No.	Part No.	Description	Reqd. QTY	Serial No.	Parts catalogue code
			GX 270 UH		
1	13010-Z5H-004	RING SET, PISTON (STD.)	1		
		(TEIKOKU)			
	13010-Z5K-003	RING SET, PISTON (STD.) (RIKEN)	1		
	13011-Z5H-004	RING SET, PISTON (0.25)			
		(TEIKOKU)	(1)		
	13011-Z5K-003	RING SET, PISTON (0.25) (RIKEN)	(1)		
	13012-Z5H-004	RING SET, PISTON (0.50)			
		(TEIKOKU)	(1)		
	13012-Z5K-003	RING SET, PISTON (0.50) (RIKEN)	(1)		
	13013-Z5H-004	RING SET, PISTON (0.75)			
		(TEIKOKU)	(1)		
	13013-Z5K-003	RING SET, PISTON (0.75) (RIKEN)	(1)		
2	13101-ZH9-010	PISTON (STD.)	1		
	13102-ZH9-010	PISTON (0.25)	(1)		
	13103-ZH9-010	PISTON (0.50)	(1)		
	13104-ZH9-010	PISTON (0.75)	(1)		
3	13111-Z7B-000	PIN, PISTON	1		
4	13200-Z1D-000	ROD ASSY., CONNECTING (STD.)	1		
	13200-ZE2-305	ROD ASSY., CONNECTING			
		(0.25 UNDER SIZE)	(1)		
5	90001-ZE8-000	BOLT, CONNECTING ROD	2		
6	90551-ZE1-000	CLIP, PISTON PIN, 18MM	2		

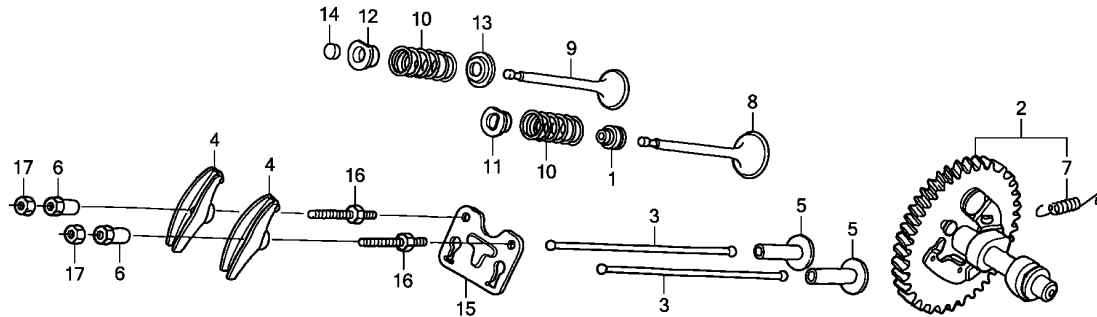


Z7C0E0900



Ref. No.	L.O.N.	(Relative ref. Number) Description	F.R.T.
1	1111K2	SEAL, INTAKE VALVE STEMINCLUDES: Valve clearance adjustment	0.6
2	1111C2	CAMSHAFT	0.4
3	1111L6	ROD, PUSH :INTAKE	0.2
		.INCLUDES: Valve clearance adjustment	
	1111L6A	.Replace exhaust push rod add	0.1
	1111L7	ROD, PUSH :EXHAUST	0.2
		.INCLUDES: Valve clearance adjustment	
	1111L7A	.Replace intake push rod add	0.1
4	1111A2	ARM, ROCKER :INTAKE	0.2
		.INCLUDES: Valve clearance adjustment	
	1111A2A	.Replace exhaust rocker arm add	0.1
	1111A1	ARM, ROCKER :EXHAUST	0.2
		.INCLUDES: Valve clearance adjustment	
	1111A1A	.Replace intake rocker arm add	0.1
+ 5	1111L9	LIFTER, VALVE :INTAKE	0.4

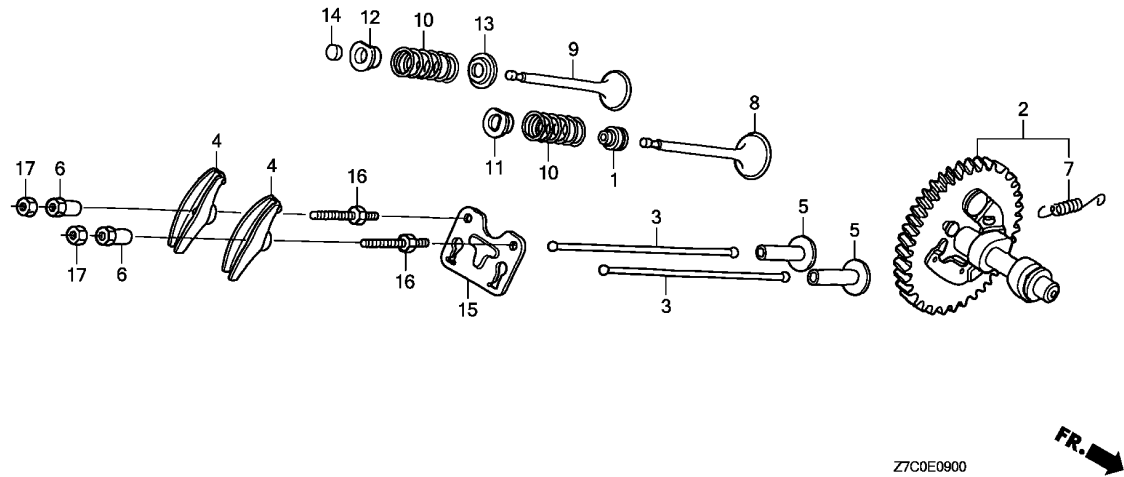
Ref. No.	Part No.	Description	Reqd. QTY	Serial No.	Parts catalogue code
			GX 270 UH		
1	12209-Z7E-003	SEAL, VALVE STEM	1		
2	14100-ZE3-020	CAMSHAFT ASSY.	1		
3	14410-Z7B-000	ROD, PUSH	2		
4	14431-ZE2-010	ARM, VALVE ROCKER	2		
5	14441-Z7E-000	LIFTER, VALVE	2		
6	14451-Z7E-000	PIVOT, ROCKER ARM	2		
7	14568-ZE1-000	SPRING, WEIGHT RETURN	1		
8	14711-Z7B-000	VALVE, IN.	1		
9	14721-Z7B-000	VALVE, EX.	1		
10	14751-Z7E-000	SPRING, VALVE	2		
11	14771-ZE2-000	RETAINER, IN. VALVE SPRING ..	1		
12	14773-ZE2-000	RETAINER, EX. VALVE SPRING ..	1		
13	14775-ZE2-010	SEAT, VALVE SPRING	1		
14	14781-Z7E-000	ROTATOR, VALVE	1		
15	14791-Z7E-000	GUIDE, PUSH ROD	1		
16	90012-ZE0-010	BOLT, PIVOT, 8MM	2		
17	90206-ZE1-000	NUT, PIVOT ADJUSTING	2		



Z7C0E0900

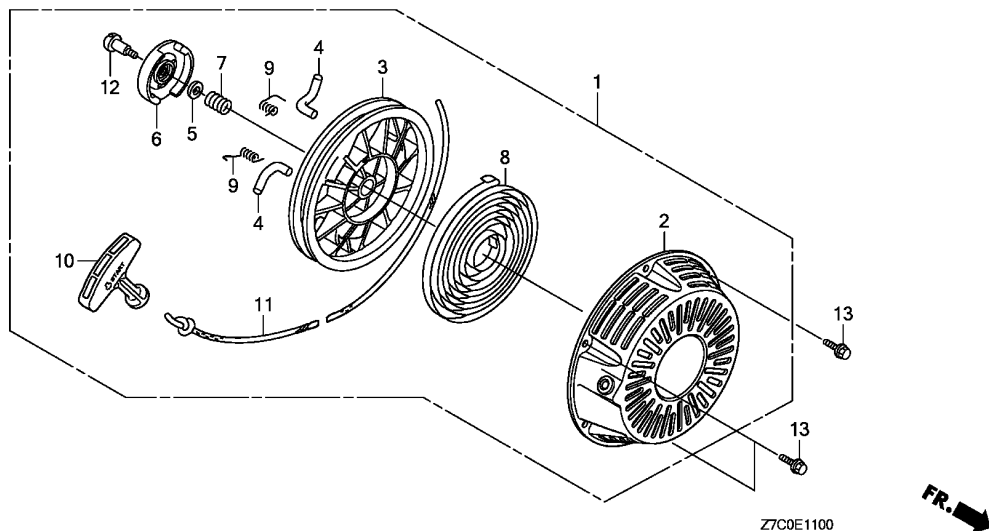


Ref. No.	L.O.N.	(Relative ref. Number) Description	F.R.T.
+ 5		.INCLUDES: Valve clearance adjustment	
1111M0		LIFTER, VALVE :EXHAUSTINCLUDES: Valve clearance adjustment .NOTE: Same time for two units	0.4
8 1111L1		VALVE, INTAKEINCLUDES: Valve clearance adjustment and reface .NOTE: Same time for two units	0.7
1111L1E		.Replace intake and exhaust all add	0.1
9 1111L0		VALVE, EXHAUSTINCLUDES: Valve clearance adjustment and reface	0.7
1111L0E		.Replace intake and exhaust all add	0.1
10 1111P3		SPRING, VALVE :INTAKEINCLUDES: Valve clearance adjustment	0.6
1111P3A		.Replace intake and exhaust all add	0.1
1111P4		SPRING, VALVE :EXHAUSTINCLUDES: Valve clearance adjustment	0.6
+			



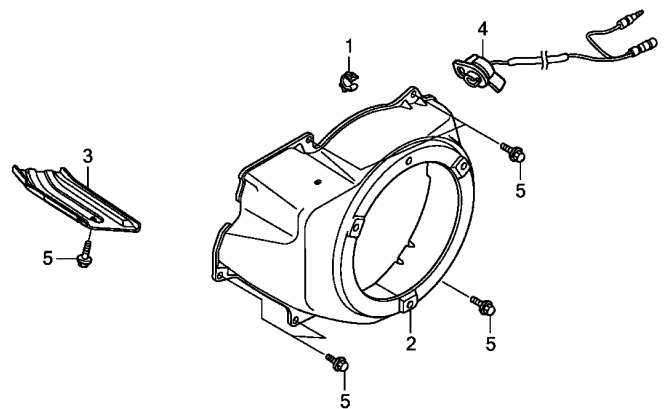
Ref. No.	L.O.N.	(Relative ref. Number) Description	F.R.T.
+10	1111P4A	.Replace intake and exhaust all add	0.1
14	1111J7	ROTATOR, VALVE	0.2
		.INCLUDES: Valve clearance adjustment	

2



Ref. No.	L.O.N.	(Relative ref. Number) Description	F.R.T.
1	1121B9	STARTER, RECOIL	0.1
3	1121B1	REEL, RECOIL STARTER	0.3
4	1121B0	RATCHET, STARTER AND/OR SPRING, RATCHET	0.2
6	1121A4	GUIDE, RATCHET	0.2
8	1121B7	SPRING, RECOIL STARTER RETURN	0.3
11	1121B3	ROPE, RECOIL STARTER	0.3

Ref. No.	Part No.	Description	Reqd. QTY	Serial No.	Parts catalogue code
			GX 270 UH		
1	28400-Z7B-003ZA	STARTER ASSY., RECOIL			
		R280.....POWER RED	1		
		NH1.....BLACK	1		
2	28410-Z7B-003ZA	CASE COMP., RECOIL STARTER			
		R280.....POWER RED	1		
		NH1.....BLACK	1		
3	28420-Z7B-003	REEL, RECOIL STARTER	1		
4	28422-ZH8-801	RATCHET, STARTER	2		
5	28431-ZH8-801	PLATE, FRICTION	1		
6	28433-Z2E-003	GUIDE, RATCHET	1		
7	28441-Z2E-003	SPRING, FRICTION	1		
8	28442-Z7E-003	SPRING, RECOIL STARTER	1		
9	28443-ZH8-801	SPRING, RETURN	2		
10	28461-Z2E-003	KNOB, RECOIL STARTER	1		
11	28462-Z7B-003	ROPE, RECOIL STARTER	1		
12	90003-ZH8-801	SCREW, SETTING	1		
13	90008-ZE2-003	BOLT, FLANGE, 6X10	3		



Z7C0E1200



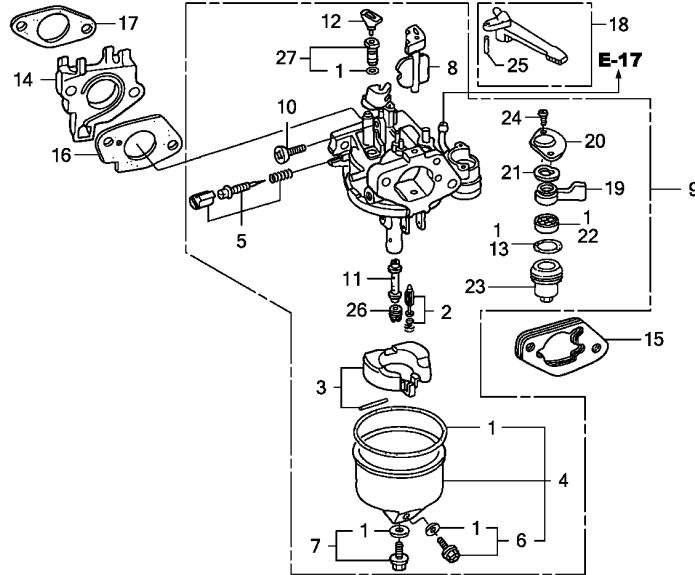
Ref. No.	L.O.N.	(Relative ref. Number) Description	F.R.T.
2	1141G8	COVER, ENGINE COOLING FAN	0.2
4	6151D9	SWITCH, ENGINE STOP	0.1

Ref. No.	Part No.	Description	Reqd. QTY	Serial No.	Parts catalogue code
			GX 270 UH		
1	16731-Z7E-000	CLIP, TUBE	1		
2	19610-Z7B-000ZA	COVER COMP., FAN			
		R280.....POWER RED	1		
	19610-Z7B-000ZB	*NH1*.....BLACK	1		
	19610-Z7B-000ZC	*NH246*.....LOOSEY GRAY	1		
3	19631-ZE2-D00	SHROUD	1		
4	36100-ZF6-P82	SWITCH ASSY., ENGINE STOP ...	1		
5	90013-883-000	BOLT, FLANGE, 6X12(CT200) ...	6		

E-14

CARBURETOR

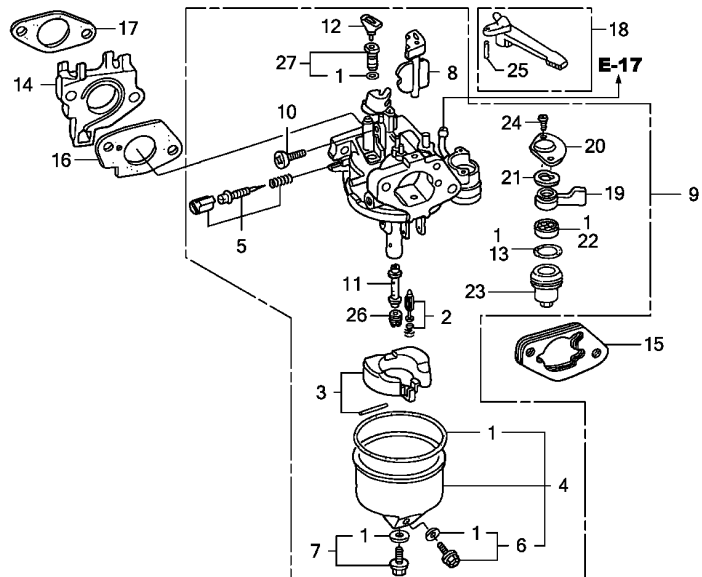
C11



Ref. No.	L.O.N.	(Relative ref. Number) Description	F.R.T.
1	3111B1	GASKET SET, CARBURETOR	0.3
2	3111E1	VALVE SET, FLOAT AND/OR FLOAT SET	0.3
4	3111A3	CHAMBER SET, FLOAT AND/OR GASKET, FLOAT CHAMBER	0.2
5	3111D7	SCREW SET, PILOT	0.2
9	3111F3	CARBURETOR	0.2
13	3101L6	PACKING, FUEL STRAINER CUP ... (23)	0.2
14	3111C0	INSULATOR, CARBURETOR AND/OR PACKING, INSULATOR	0.2
15	3111D9	SPACER, CARBURETOR	0.2
16	3111C8	PACKING, CARBURETOR	0.2
18	8101F9	LEVER, CARBURETOR CHOKE	0.2
22	3101C5	PACKING, FUEL COCK	0.2
26	3111C3	JET, MAIN	0.3

Ref. No.	Part No.	Description	Reqd. QTY	Serial No.	Parts catalogue code
			GX 270 UH		
1	16010-ZE2-812	GASKET SET (INCLUDE 16173-001-004)	1		
2	16011-ZA0-931	VALVE SET, FLOAT	1		
3	16013-Z1C-003	FLOAT SET	1		
4	16015-ZE8-005	CHAMBER SET, FLOAT	1		
5	16016-ZH7-W01	SCREW SET, PILOT	1		
6	16024-ZE1-811	SCREW SET, DRAIN	1		
7	16028-ZE0-005	SCREW SET	1		
8	16044-ZE2-005	CHOKE SET	1		
9	16100-Z7C-801	CARBURETOR ASSY. (BE70M A) ..	1		
10	16124-ZE0-005	SCREW, THROTTLE STOP	1		
11	16166-ZH9-W00	NOZZLE, MAIN	1		
12	16172-ZE3-W10	COLLAR, SETTING	1		
13	16173-001-004	PACKING, FUEL STRAINER CUP ..	1		
14	16211-Z7B-000	INSULATOR, CARBURETOR	1		
15	16220-ZA0-702	SPACER COMP., CARBURETOR	1		
16	16221-ZA0-800	PACKING, CARBURETOR	1		
17	16223-ZA0-800	PACKING, INSULATOR	1		
18	16610-ZE1-000	LEVER COMP., CHOKE (STD.) ...	1		
19	16953-ZE1-812	LEVER, COCK	1		
20	16954-ZE1-812	PLATE, LEVER SETTING	1		
21	16956-ZE1-811	SPRING, COCK LEVER	1		
22	16957-ZE1-812	PACKING, FUEL COCK	1		
23	16967-ZE0-811	CUP, FUEL STRAINER	1		
24	93500-03006-1H	SCREW, PAN, 3X6	2		





Z7C0E1400

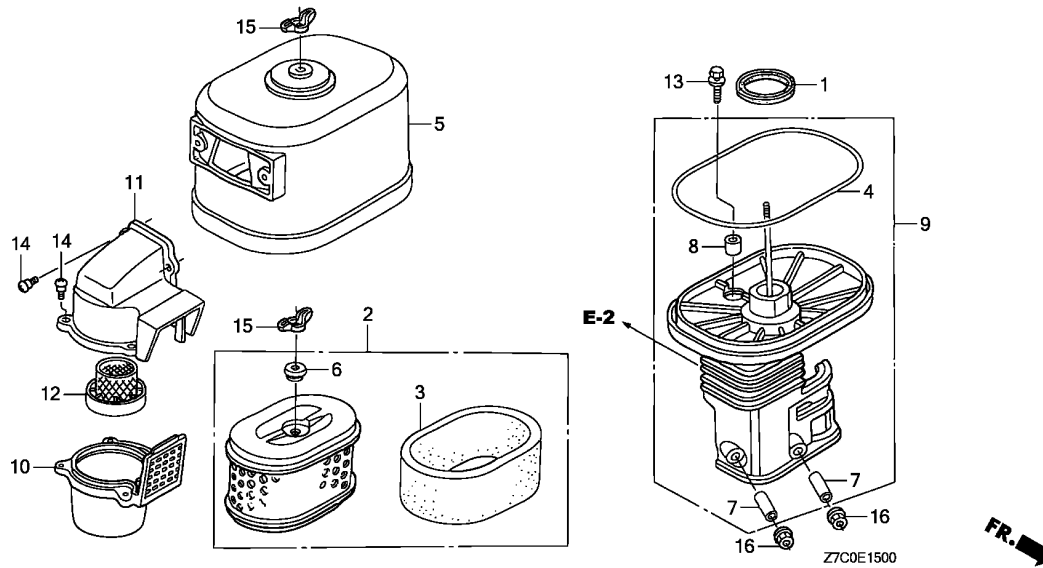


Ref. No.	Part No.	Description	Reqd. QTY		Serial No.	Parts catalogue code
			GX	270 UH		
25	94305-20122	PIN, SPRING, 2X12	1			
26	99101-ZH8-0880	JET, MAIN, #88	(1)			
	99101-ZH8-0900	JET, MAIN, #90	(1)			
	99101-ZH8-0920	JET, MAIN, #92	1			
27	99204-ZE2-0400	JET SET, PILOT, #40	1			

E-15

AIR CLEANER

C13



Ref. No.	L.O.N.	(Relative ref. Number) Description	F.R.T.
1	3121E1	PACKING, ELBOW	0.1
2	3121B8	ELEMENT, AIR CLEANER	0.1
3	3121C1	FILTER, OUTER	0.1
4	3121E0	PACKING, AIR CLEANER COVER ...	0.1
9	3121B4	ELBOW, AIR CLEANER	0.1
10	3121A6	CASE, PRE AIR CLEANER	0.1
11	3121A4	CAP, PRE AIR CLEANER	0.1
12	3121C8	GUIDE, PRE AIR CLEANER	0.1

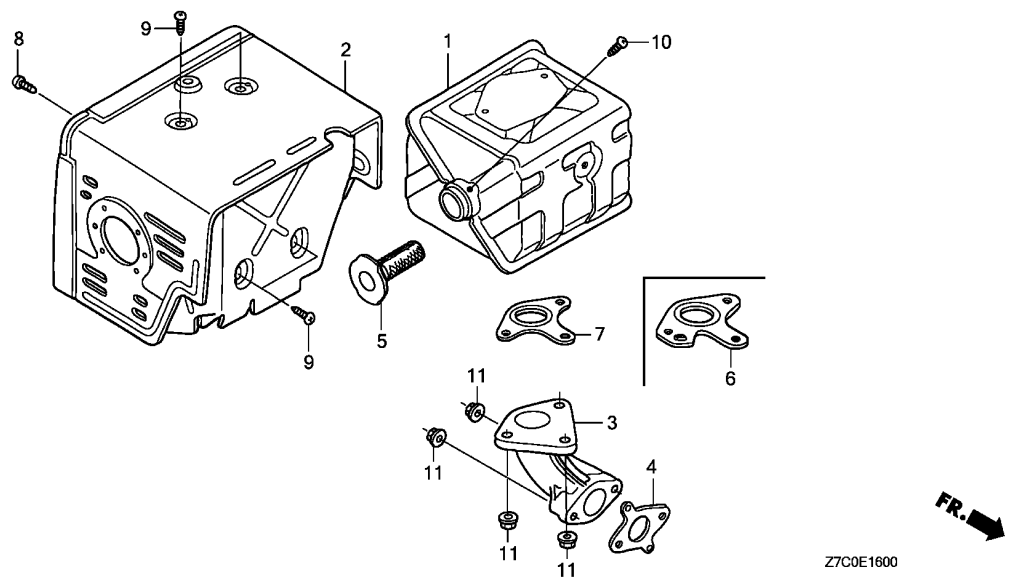
Ref. No.	Part No.	Description	Reqd. QTY	Serial No.	Parts catalogue code
			GX 270 UH		
1	16271-ZE2-010	PACKING, ELBOW	1		
2	17210-ZE3-010	ELEMENT, AIR CLEANER	1		
3	17218-ZE3-000	FILTER, OUTER	1		
4	17219-ZE3-840	PACKING, AIR CLEANER COVER ..	1		
5	17230-ZE3-841	COVER COMP., AIR CLEANER (CYCLONE)	1		
6	17232-891-000	GROMMET, AIR CLEANER	1		
7	17238-ZE2-310	COLLAR, AIR CLEANER	2		
8	17239-ZE3-840	COLLAR B, AIR CLEANER	1		
9	17410-ZE3-840	ELBOW COMP., AIR CLEANER	1		
10	17470-ZE3-842	CASE COMP., PRE AIR CLEANER ..	1		
11	17475-ZE3-841	CAP, PRE AIR CLEANER	1		
12	17476-ZE3-841	GUIDE, PRE AIR CLEANER	1		
13	90009-ZE2-003	BOLT-WASHER, 6X22	1		
14	90142-MB0-000	SCREW, PAN, 5X16.5	5		
15	90325-044-000	NUT, TOOL BOX SETTING	2		
16	94050-06000	NUT, FLANGE, 6MM	2		

2

E-16

MUFFLER

C14



Ref. No.	L.O.N.	(Relative ref. Number) Description	F.R.T.
1	3131C5	MUFFLER, EXHAUST	0.2
2	3131D6	PROTECTOR, EXHAUST MUFFLER ...	0.2
3	3131C9	PIPE, EXHAUST	0.2
4	3131B5	GASKET, EXHAUST PIPE	0.2
5	3131A1	ARRESTER, SPARK	0.2
7		(6)	
	3131B4	GASKET, EXHAUST MUFFLER	0.2

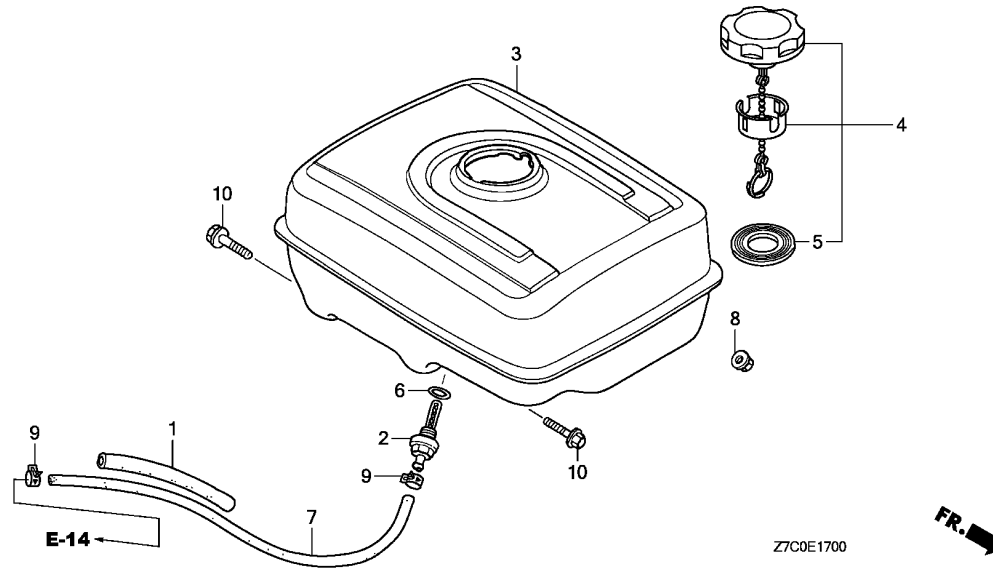
2

Ref. No.	Part No.	Description	Reqd. QTY	Serial No.	Parts catalogue code
			GX 270 UH		
1	18310-ZE2-W61	MUFFLER COMP. (100DB)	1		
2	18320-ZE2-W61	PROTECTOR COMP., MUFFLER	1		
3	18330-ZH9-N00	PIPE, EX.	1		
4	18333-ZF6-W01	GASKET, EX. PIPE	1		
5	18355-ZE2-W00	ARRESTER, SPARK	(1)		
6	18381-ZE2-W10	GASKET, MUFFLER (ARRESTER) ..	(1)		
7	18381-ZE2-800	GASKET, MUFFLER	1		
	18381-Z1C-801	1		
8	90006-ZE2-000	SCREW, TAPPING, 6X10	1		
9	90050-ZE1-000	SCREW, TAPPING, 5X8	4		
10	90055-ZE1-000	SCREW, TAPPING, 4X6	(1)		
11	94050-08000	NUT, FLANGE, 8MM	5		

E-17

FUEL TANK

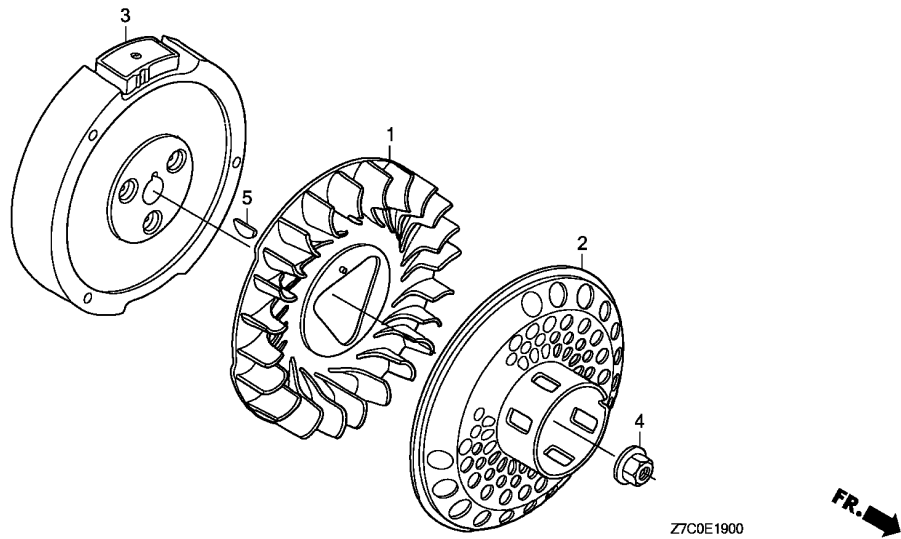
C15



Ref. No.	L.O.N.	(Relative ref. Number) Description	F.R.T.
2		(6)	
3101H6		JOINT, FUEL STRAINER	0.2
3101H7		TANK, FUEL	0.2
3101F1		TUBE, FUEL TANK	0.2

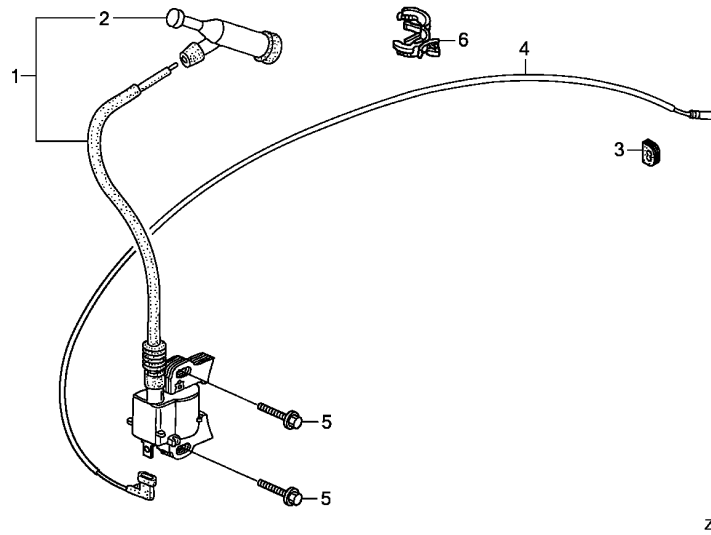
Ref. No.	Part No.	Description	Reqd. QTY		Serial No.	Parts catalogue code
			GX	UH		
1	16854-ZH8-000	RUBBER, SUPPORTER (107MM) ...	1			
2	16955-ZE1-000	JOINT, FUEL TANK	1			
3	17510-ZE2-801ZA	TANK COMP., FUEL				
		NH1.....BLACK	1			
	17510-ZE2-801ZC	*NH31*.....MCKINLEY WHITE	1			
4	17620-Z4H-010	CAP COMP., FUEL FILLER	1			
5	17631-Z4H-800	PACKING, FUEL FILLER CAP (39X62X3)	1			
6	91353-671-004	O-RING, 14MM(NOK)	1			
7	91424-Z5F-801	TUBE, FUEL, 4.5X222(FKM)	1			
8	94050-08000	NUT, FLANGE, 8MM	2			
9	95002-40800-08	CLAMP, TUBE (D8)	2			
10	95701-08025-00	BOLT, FLANGE, 8X25	2			

2



Ref. No.	L.O.N.	(Relative ref. Number) Description	F.R.T.
1	1141G7	FAN, ENGINE COOLING	0.2
2	1121A9	PULLEY, RECOIL STARTER	0.2
3	2161B5	FLYWHEEL	0.3

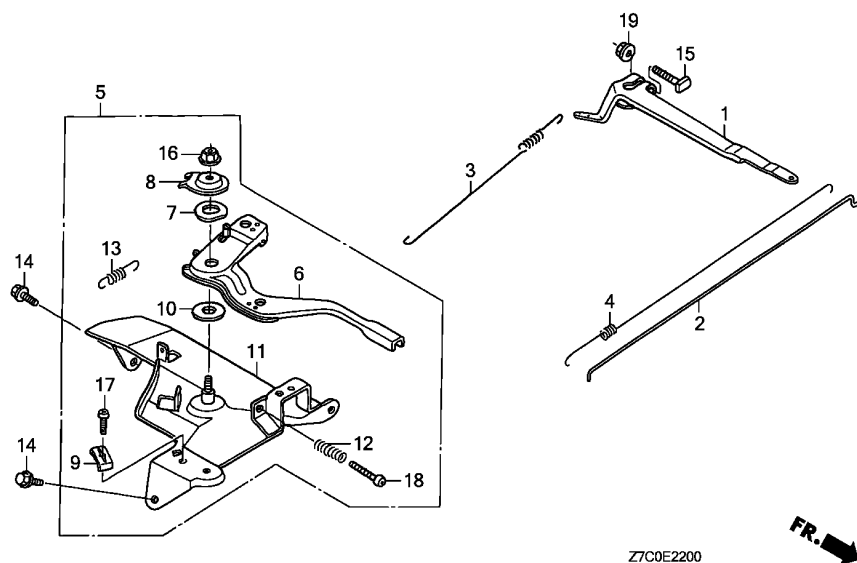
Ref. No.	Part No.	Description	Reqd. QTY		Serial No.	Parts catalogue code
			GX	UH		
1	19511-Z7B-000	FAN, COOLING	1			
2	28450-Z7B-000	PULLEY COMP., STARTER	1			
3	31110-Z7B-801	FLYWHEEL COMP.	1			
4	90201-ZE3-V00	NUT, SPECIAL, 16MM	1			
5	90741-ZE2-000	KEY, SPECIAL WOODRUFF, 25X18	1			



Ref. No.	L.O.N.	(Relative ref. Number) Description	F.R.T.
1	6141A5	COIL, IGNITION(ONE)	0.3
2	6141B8	TERMINAL, HIGH TENSION	0.1
4	6111B3	CORD, STOP SWITCH	0.3

Ref. No.	Part No.	Description	Reqd. QTY	Serial No.	Parts catalogue code
			GX 270 UH		
1	30500-Z7E-003	COIL ASSY., IGNITION	1		
2	30700-Z1T-003	CAP ASSY., NOISE SUPPRESSOR .	1		
3	31512-ZE2-000	GROMMET, CORD	1		
4	36101-ZE1-010	CORD, STOP SWITCH (370MM) ...	1		
5	90015-883-000	BOLT, FLANGE, 6X28	2		
6	90684-Z7E-000	CLIP, HARNESS	1		



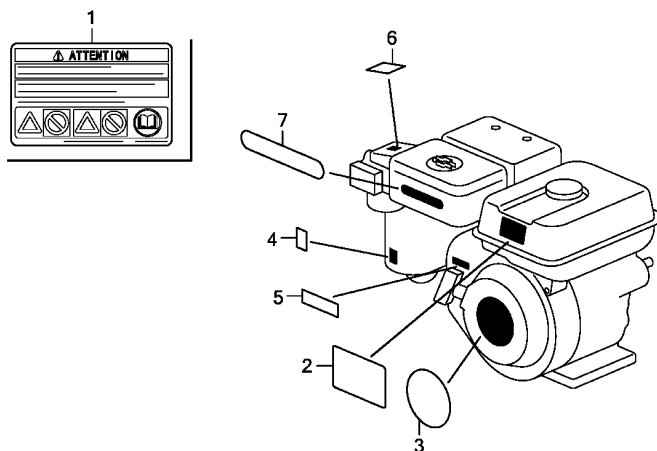


Ref. No.	L.O.N.	(Relative ref. Number) Description	F.R.T.
1	1161A0	ARM, GOVERNOR	0.2
2	1161B1	ROD, GOVERNOR	0.3
3	1161C5	SPRING, GOVERNOR	0.2
4	1161C2	SPRING, THROTTLE RETURN	0.3
5	1161A5	CONTROL, THROTTLE/GOVERNOR ...	0.2
6	1161A8	LEVER, CONTROL	0.3
11	1161A2	BASE, CONTROL	0.3

Z7C0E2200



Ref. No.	Part No.	Description	Reqd. QTY	Serial No.	Parts catalogue code
			GX 270 UH		
1	16551-ZE2-000	ARM, GOVERNOR	1		
2	16555-ZE2-000	ROD, GOVERNOR	1		
3	16561-ZE2-000	SPRING, GOVERNOR	1		
4	16562-ZE2-000	SPRING, THROTTLE RETURN	1		
5	16570-ZE2-W20	CONTROL ASSY. (REMOTE)	1		
6	16571-ZE2-W00	LEVER, CONTROL	1		
7	16574-ZE1-000	SPRING, LEVER	1		
8	16575-ZE2-W00	WASHER, CONTROL LEVER	1		
9	16576-891-000	HOLDER, CABLE	1		
10	16578-ZE1-000	SPACER, CONTROL LEVER	1		
11	16581-ZE2-W00	BASE COMP., CONTROL (###) ...	1		
12	16584-883-300	SPRING, CONTROL ADJUSTING ...	1		
13	16592-883-310	SPRING, CABLE RETURN	1		
14	90013-883-000	BOLT, FLANGE, 6X12(CT200) ...	2		
15	90015-ZE5-010	BOLT, GOVERNOR ARM	1		
16	90114-SAO-000	NUT, SELF-LOCK, 6MM	1		
17	93500-05016-0A	SCREW, PAN, 5X16	1		
18	93500-05028-0A	SCREW, PAN, 5X28	1		
19	94050-06000	NUT, FLANGE, 6MM	1		



Z7C0E2800

Ref. (Relative ref. Number)
No. L.O.N. Description F.R.T.

NO INFORMATION

Ref. No.	Part No.	Description	Reqd. QTY	Serial No.	Parts catalogue code
1	87516-ZH7-800	MARK, OPERATOR CAUTION (FRENCH)(MADE IN JAPAN)	1		
	87516-Z4N-800	MARK, OPERATOR CAUTION (PICTOGRAPH)(MADE IN CHINA)	(1)		
2	87516-Z4N-000	MARK, OPERATOR CAUTION (ENGLISH)(MADE IN CHINA)	1		
3	87521-ZH9-040	EMBLEM (GX270)	1		
4	87528-Z7E-000	MARK, CHOKE	1		
5	87532-ZH7-000	MARK, THROTTLE INDICATION ...	1		
6	87534-ZE1-841	LABEL, AIR CLEANER CAUTION ..	1		
7	87535-ZE1-841	MARK, AIR CLEANER SALES POINT	1		



PART NAME INDEX

F 1

Part name	Address	Page	Ref.	Part name	Address	Page	Ref.	Part name	Address	Page	Ref.
[A]				COVER COMP., FAN	C10	24	2	KNOB, RECOIL STARTER	C9	23	10
ALERT UNIT, OIL	C2	16	3	COVER COMP., HEAD	C1	15	6	[L]			
ARM, GOVERNOR	D2	32	1	CRANKSHAFT COMP.	C4	18	1	LABEL, AIR CLEANER CAUTION	D3	33	6
ARM, VALVE ROCKER	C6	20	4	CUP, FUEL STRAINER	C11	25	23	LEVER COMP., CHOKE	C11	25	18
ARRESTER, SPARK	C14	28	5	[D]				LEVER, COCK	C11	25	19
[B]				DOWEL PIN, 12X20	C1	15	14	LEVER, CONTROL	D2	32	6
BARREL ASSY., CYLINDER	C2	16	1	DOWEL PIN, 8X12	C3	17	13	LIFTER, VALVE	C6	20	5
BASE COMP., CONTROL	D2	32	11	[E]				[M]			
BEARING, RADIAL BALL	C4	18	3	ELBOW COMP., AIR CLEANER	C13	27	9	MARK, AIR CLEANER SALES POINT	D3	33	7
BEARING, RADIAL BALL, 6206	C3	17	17	ELEMENT, AIR CLEANER	C13	27	2	MARK, CHOKE	D3	33	4
BOLT-WASHER, 6X22	C13	27	13	EMBLEM	D3	33	3	MARK, OPERATOR CAUTION	D3	33	1
BOLT, CONNECTING ROD	C5	19	5	[F]				MARK, THROTTLE INDICATION	D3	33	5
BOLT, DRAIN PLUG, 12X15	C2	16	6	FAN, COOLING	C16	30	1	MUFFLER COMP.	C14	28	1
BOLT, FLANGE, 10X80	C1	15	15	FILTER, OUTER	C13	27	3	[N]			
BOLT, FLANGE, 6X10	C9	23	13	FLOAT SET	C11	25	3	NOZZLE, MAIN	C11	25	11
BOLT, FLANGE, 6X12	C2	16	5	FLYWHEEL COMP.	C16	30	3	NUT, FLANGE, 10MM	C2	16	10
	C10	24	5	[G]				NUT, FLANGE, 6MM	C13	27	16
	D2	32	14	GASKET SET	C11	25	1	NUT, FLANGE, 8MM	C14	28	11
BOLT, FLANGE, 6X28	D1	31	5	GASKET, CYLINDER HEAD	C1	15	5	NUT, PIVOT ADJUSTING	C6	20	17
BOLT, FLANGE, 8X25	C15	29	10	GASKET, EX. PIPE	C14	28	4	NUT, SELF-LOCK, 6MM	D2	32	16
BOLT, FLANGE, 8X35	C3	17	16	GASKET, MUFFLER	C14	28	6	NUT, SPECIAL, 16MM	C16	30	4
BOLT, GOVERNOR ARM	D2	32	15	GOVERNOR ASSY.	C3	17	7	NUT, TOOL BOX SETTING	C13	27	15
BOLT, HEAD COVER	C1	15	10	GROMMET, AIR CLEANER	C13	27	6	[O]			
BOLT, PIVOT, 8MM	C6	20	16	GROMMET, CORD	D1	31	3	OIL SEAL, 30X46X8	C2	16	8
BOLT, STUD, 8X123	C1	15	11	GUIDE, EX. VALVE	C1	15	3		C3	17	14
BOLT, STUD, 8X32	C1	15	13	GUIDE, IN. VALVE	C1	15	2	O-RING, 14MM	C2	16	9
[C]				GUIDE, PRE AIR CLEANER	C13	27	12		C15	29	6
CAMSHAFT ASSY.	C6	20	2	GUIDE, PUSH ROD	C6	20	15	[P]			
CAP ASSY., NOISE SUPPRESSOR ..	D1	31	2	GUIDE, RATCHET	C9	23	6	PACKING, AIR CLEANER COVER	C13	27	4
CAP ASSY., OIL FILLER	C3	17	3	[H]				PACKING, CARBURETOR	C11	25	16
CAP COMP., FUEL FILLER	C15	29	4	HEAD COMP., CYLINDER	C1	15	1	PACKING, CASE COVER	C3	17	2
CAP, PRE AIR CLEANER	C13	27	11	HOLDER, CABLE	D2	32	9	PACKING, ELBOW	C13	27	1
CARBURETOR ASSY.	C11	25	9	HOLDER, GOVERNOR WEIGHT	C3	17	9	PACKING, FUEL COCK	C11	25	22
CASE COMP., PRE AIR CLEANER ..	C13	27	10	[I]				PACKING, FUEL FILLER CAP	C15	29	5
CASE COMP., RECOIL STARTER	C9	23	2	INSULATOR, CARBURETOR	C11	25	14	PACKING, FUEL STRAINER CUP	C11	25	13
CHAMBER SET, FLOAT	C11	25	4	[J]				PACKING, HEAD COVER	C1	15	8
CHOKE SET	C11	25	8	JET SET, PILOT,	C12	26	27	PACKING, INSULATOR	C11	25	17
CLAMP, TUBE	C15	29	9	JET, MAIN,	C12	26	26	PACKING, OIL FILLER CAP	C3	17	5
CLIP, BREATHER TUBE	C1	15	9	JOINT, FUEL TANK	C15	29	2	PIN, GOVERNOR WEIGHT	C3	17	10
CLIP, GOVERNOR HOLDER	C3	17	12	[K]				PIN, LOCK, 10MM	C2	16	12
CLIP, HARNESS	D1	31	6	KEY, 6.3X6.3X43	C4	18	2	PIN, PISTON	C5	19	3
CLIP, PISTON PIN, 18MM	C5	19	6	KEY, SPECIAL WOODRUFF, 25X18 ..	C16	30	5	PIN, SPRING, 2X12	C12	26	25
CLIP, TUBE	C10	24	1	[L]				PIPE, EX.	C14	28	3
CLIP, VALVE GUIDE	C1	15	4	[M]				PISTON	C5	19	2
COIL ASSY., IGNITION	D1	31	1	[N]				PIVOT, ROCKER ARM	C6	20	6
COLLAR B, AIR CLEANER	C13	27	8	[O]				[P]			
COLLAR, AIR CLEANER	C13	27	7	[P]				[Q]			
COLLAR, SETTING	C11	25	12	[R]				[R]			
CONTROL ASSY.	D2	32	5	[S]				[S]			
CORD, STOP SWITCH	D1	31	4	[T]				[T]			
COVER ASSY., CRANKCASE	C3	17	1	[U]				[U]			
COVER COMP., AIR CLEANER	C13	27	5	[V]				[V]			



PART NAME INDEX

F 2

Part name	Address	Page	Ref.	Part name	Address	Page	Ref.	Part name	Address	Page	Ref.
PLATE, FRICTION	C9	23	5	TUBE, BREATHER	C1	15	7				
PLATE, LEVER SETTING	C11	25	20	TUBE, FUEL, 4.5X222	C15	29	7				
PLUG, SPARK	C1	15	16								
PROTECTOR COMP., MUFFLER	C14	28	2	[V]							
PULLEY COMP., STARTER	C16	30	2	VALVE SET, FLOAT	C11	25	2				
[R]				VALVE, EX.	C6	20	9				
RATCHET, STARTER	C9	23	4	VALVE, IN.	C6	20	8				
REEL, RECOIL STARTER	C9	23	3	[W]							
RETAINER, EX. VALVE SPRING ...	C6	20	12	WASHER COMP., HEAD COVER	C1	15	12				
RETAINER, IN. VALVE SPRING ...	C6	20	11	WASHER, 8.2X17X0.8	C2	16	7				
RING SET, PISTON	C5	19	1	WASHER, CONTROL LEVER	D2	32	8				
ROD ASSY., CONNECTING	C5	19	4	WASHER, DRAIN PLUG, 12MM	C2	16	11				
ROD, GOVERNOR	D2	32	2	WASHER, PLAIN, 6MM	C3	17	15				
ROD, PUSH	C6	20	3	WEIGHT, GOVERNOR	C3	17	8				
ROPE, RECOIL STARTER	C9	23	11								
ROTATOR, VALVE	C6	20	14								
RUBBER, SUPPORTER	C15	29	1								
[S]											
SCREW SET	C11	25	7								
SCREW SET, DRAIN	C11	25	6								
SCREW SET, PILOT	C11	25	5								
SCREW, PAN, 3X6	C11	25	24								
SCREW, PAN, 5X16	D2	32	17								
SCREW, PAN, 5X16.5	C13	27	14								
SCREW, PAN, 5X28	D2	32	18								
SCREW, SETTING	C9	23	12								
SCREW, TAPPING, 4X6	C14	28	10								
SCREW, TAPPING, 5X8	C14	28	9								
SCREW, TAPPING, 6X10	C14	28	8								
SCREW, THROTTLE STOP	C11	25	10								
SEAL, VALVE STEM	C6	20	1								
SEAT, VALVE SPRING	C6	20	13								
SHAFT, GOVERNOR ARM	C2	16	2								
SHROUD	C10	24	3								
SLIDER, GOVERNOR	C3	17	11								
SPACER COMP., CARBURETOR	C11	25	15								
SPACER, CONTROL LEVER	D2	32	10								
SPRING, CABLE RETURN	D2	32	13								
SPRING, COCK LEVER	C11	25	21								
SPRING, CONTROL ADJUSTING	D2	32	12								
SPRING, FRICTION	C9	23	7								
SPRING, GOVERNOR	D2	32	3								
SPRING, LEVER	D2	32	7								
SPRING, RECOIL STARTER	C9	23	8								
SPRING, RETURN	C9	23	9								
SPRING, THROTTLE RETURN	D2	32	4								
SPRING, VALVE	C6	20	10								
SPRING, WEIGHT RETURN	C6	20	7								
STARTER ASSY., RECOIL	C9	23	1								
SWITCH ASSY., ENGINE STOP	C10	24	4								
SWITCH ASSY., OIL LEVEL	C2	16	4								
[T]											
TANK COMP., FUEL	C15	29	3								

1

FOREWORD INDEX

2

ENGINE GROUP

3

PART NUMBER INDEX

4

PART NAME INDEX

HONDA
The Power of Dreams